



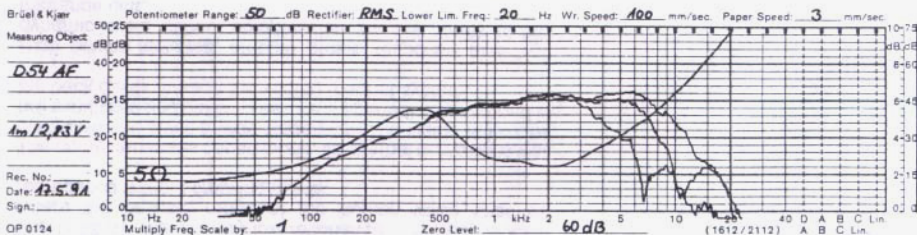
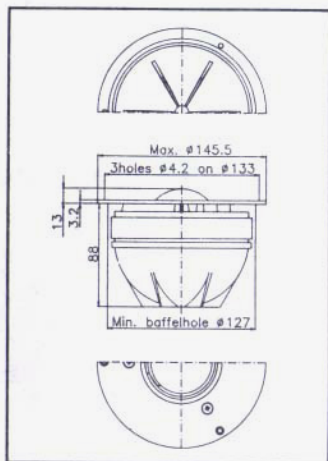
## Soft Dome Midrange D-54 AF

The soft dome midrange construction utilizes a rather heavy magnet assembly. Together with very low production tolerances this results in high efficiency as shown with the curve.

The D-54 AF is designed for efficient 3- and more way systems where high SPL without ringing, overshoot or compression is demanded.

The dome material is doped fabric with well controlled internal damping. The soft roll-off suspension as well as the very rigid, fluid cooled and damped voice coil are DYNAUDIO specialties. Ideal heat dissipation allows very high power handling. The pole piece is large-scale vented and the air flow works aperiodically damped into the defined fiber fill of the rear chamber.

Wide dispersion, excellent transient response and ideal phase will give very good results as to resolution and imaging.



Frequency response and impedance curve of the D-54 AF, distance: 1 m, on-axis, 30° and 60°.

## Specifications D-54 AF

### Thiele-Small Parameter:

Q, mechanical  
Q, electrical  
Q, total  
Resonance free air  
force factor  
eff. cone area  
moving mass  
lin. excursion (p-p)  
max. excursion (p-p)

$Q_{ms}$  0.8  
 $Q_{es}$  0.4  
 $Q_{ts}$  0.3  
 $f_s$  325 Hz  
 $BxL$  8.1 Tm  
 $S_D$  28 cm<sup>2</sup>  
 $M_{ms}$  3 g  
 $X_{max}$  2 mm  
5 mm

**Voice coil:**  
diameter  
length  
layers  
inductance(10 KHz)  
nom. impedance  
DC resistance

d 54 mm  
h 7 mm  
n 2  
 $L_e$  0.2  
 $Z_{vc}$  8 ohms  
 $R_e$  4.5 ohms

**Sensitivity** 2.83 V see curve

**Power handling,**  
depending on crossover:  
nominal (long term)  
transient

IEC >100 W  
10ms >1,000 W

**Net weight** 1900 g

**Overall dimensions** Ø 145 x 100 mm